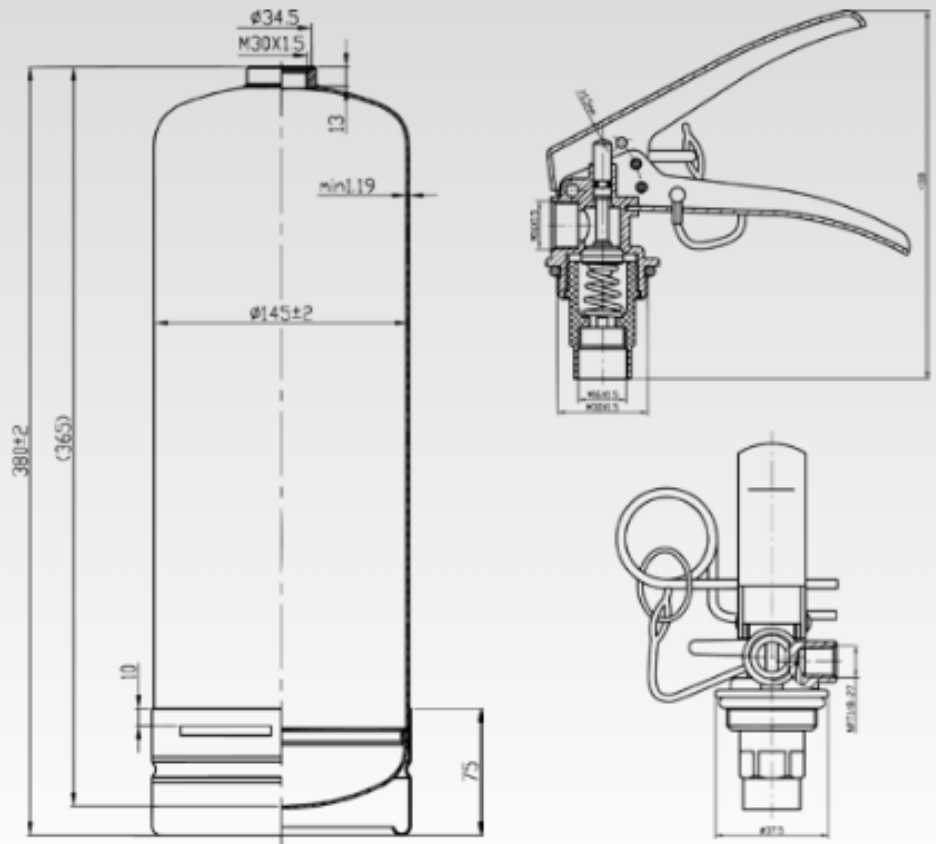


TECHNICAL DATA SHEET



Technical Details



Part Number	G4.5ABE
Model Number	FSZ4520G0
Agent Capacity	4.5kg
Agent Type	ABE Dry Chemical Powder
Total Mass	7.3kg
Fire Rating	6A:80B:C:E
Approvals	AS/NZS 1841.5
Nozzle Size	4.0mm
Pressure	1400kPa
Discharge Time	22 seconds
Dimensions	W145 x H480mm
Cylinder Pressure Test	5 Yearly
Periodic Test Pressure	2.5MPa
Cylinder Construction	Steel
Valve Construction	Brass
Cylinder Finish	Powder Coated Red
Handle Finish	Stainless Steel
Valve Finish	Nickel Plated Brass